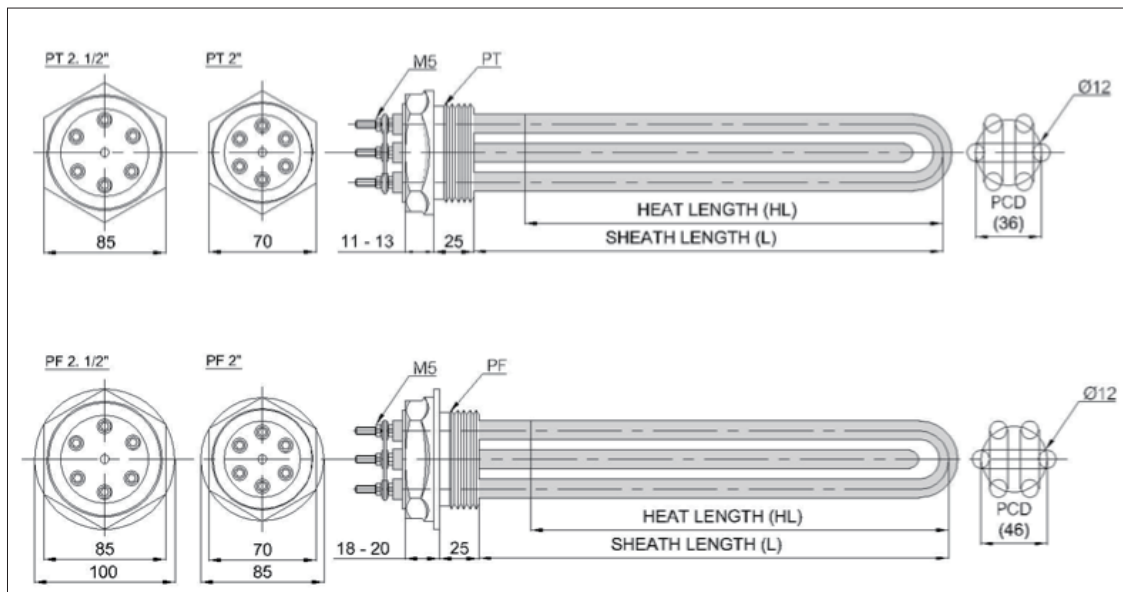




# Heater

## ORDERING FOR PLUG HEATER

### DRAWING



### DATA REQUIREMENT FOR PLUG HEATER

1: Size OD  Ø SHEATH LENGTH L  mm HEAT LENGTH HL  mm

2: Plug TYPE  PT  PF MATERIAL  SUS  IRON

SCREW  2"  2. 1/2"  OTHER

3: Voltage PHASE  P V  V. W  W.

4: Wiring  Δ  Y  SERIES  PARALLEL

5: Application	WATER	OIL	OTHER
	FOOD	MEDICAL	MACHINERY

6: Usage Temp. TEMP.  °C

7: Other Information