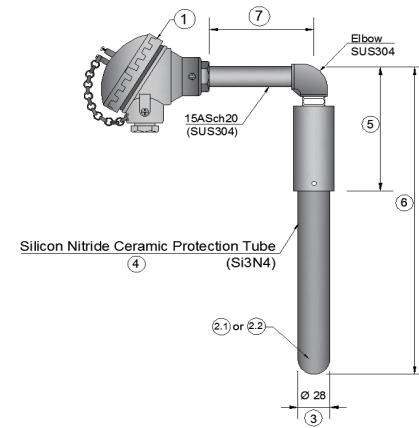




## Thermo Product (Order Information)

### Model : Thermocouple for molten aluminum (Si3N4 Tube)

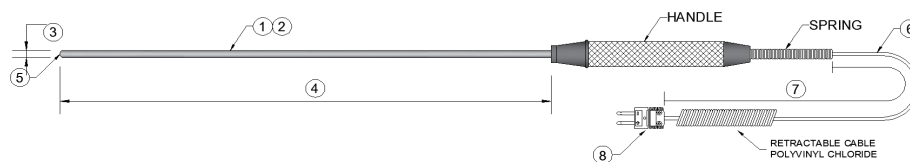


#### ORDER INFORMATION

NO. T/C -  1 -  2 -  3 -  4 -  5 -  6 -  7 Temp  ° C

1	Terminal head	KG	KM	TL	Other	
2.1	Element thermocouple type	K			Other	
	Diameter of element (mm)	Single	1.0	1.6	2.3 3.2	
2.2	Sheath thermocouple type	K			Other	
	Diameter of element (mm)	Single	3.2	4.8	6.4 8.0	
		Double	3.2	4.8	6.4 8.0	
	Material sheath	Code	316	310	INC	
Type		SUS316	SUS310S	INCONEL		
3	Diameter (mm)	28.0			Other	
4	Si3N4	300	400	500	600 700 800 1000 1200 1400	
5	Length (mm)	(Please write by mm.)				
6	Length (mm)	(Please write by mm.)				
7	Length (mm)	(Please write by mm.)				

### Model : Sheath thermocouple with handle set



#### ORDER INFORMATION

NO. T/C -  1 -  2 -  3 -  4 -  5 -  6 -  7 -  8 -  9 Temp  ° C

1	Thermocouple type	K	T	J	N	Others				
2	Material sheath	Code	316	310	INC					
		Type	SUS316	SUS310S	INCONEL					
3	O.D. (mm)	Single	1.0	1.6	2.3	3.2	4.8	6.4	8.0	
4	Length (mm)	(Please write by mm.)								
5	Measuring junction	Ungrounded			Ground			Exposed		
		Code : U			Code : G			Code : E		
6	Cable type	EXA	EXB	EXD	FEP	SRCT	Other			
7	Length (mm)	(Please write by mm.)								
8	Connector	(Please choose from the parts page)								
9	Terminal parts	(Please choose from the parts page)								